



# MEKRA Camera Platform

MCP 1309

# Product Information

## MCP 1309

Product Group: 1309



### Mechanical

Dimensions (W x H x D mm) 36,4 x 36,4 x 60 mm

Weight 52 g

### Techn. Specifications

|                       |                                                                                                |
|-----------------------|------------------------------------------------------------------------------------------------|
| Videosignal           | Ethernet                                                                                       |
| Transmission protocol | 100Base-T1                                                                                     |
| Opening Angles        | 281309040199: 50°, 60°, 70°, 80°, 90°, 100°<br>281309041199: 80°, 100°, 120°, 140°, 160°, 180° |
| Connector interface   | HSD                                                                                            |
| Sensor resolution     | 1,2 Mpix                                                                                       |
| Output resolution     | Max 1,2 Mpix (variable)                                                                        |
| Protection class      | IP69K                                                                                          |
| Operating temperature | -40°C - +85°C                                                                                  |
| Vibration resistance  | 50 g                                                                                           |

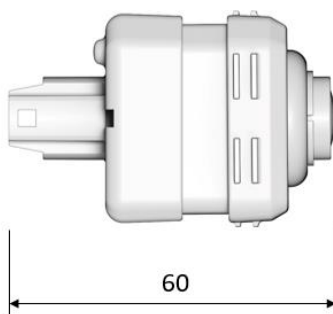
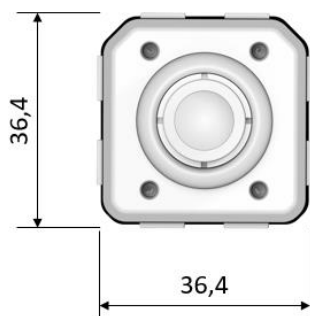
### Electrical

|                        |                        |
|------------------------|------------------------|
| Operating voltage      | 9 – 36 V               |
| Max. power consumption | 3,95 W (incl. heating) |
| Max. current draw      | 141 mA (incl. heating) |

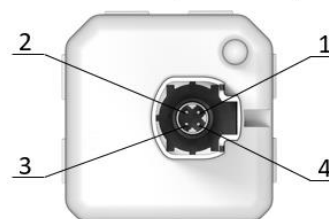
### Key Facts

- High Definition Range Sensor
- Integrated heating
- Intrinsic Parameter Measurement possible
- Single Pair Ethernet
- Robust design
- Adjustable opening angles and output resolutions via SOME/IP

### Dimensions



HSD Stecker wasserdicht/plug waterproof:  
D4S14A-1D5A5-Z (4H1.035.749.F)



| Leitungsfarbe/<br>colour of wire | Nr./<br>no. | Funktion/<br>function  |
|----------------------------------|-------------|------------------------|
| schwarz/black                    | 1           | TX+ / DO_P             |
| grün/green                       | 2           | Versorgung (+) 9-36VDC |
| rot/red                          | 3           | TX- / DO_N             |
| blau/blue                        | 4           | Masse/Ground (-) GND   |